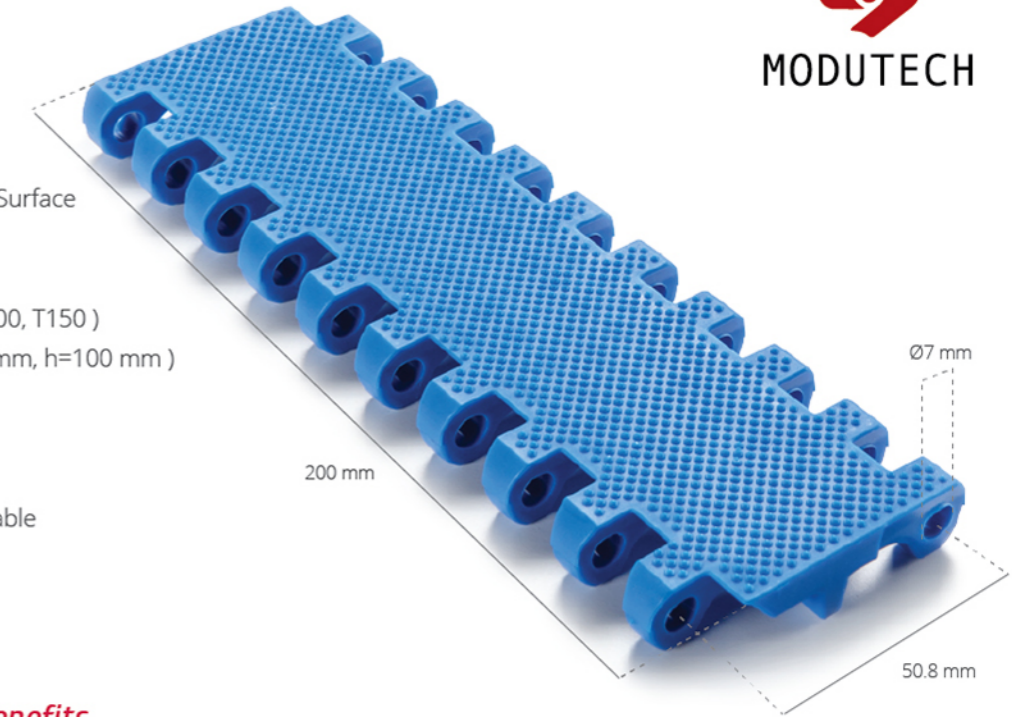


EC508 DT

Pitch:	50.8 mm
Belt Surface:	Close, Crystal Texture Surface
Minimum Width:	200 mm
Open Area (%):	%0
Flight:	Yes (T25, T50, T75, T100, T150)
Sidewall:	Yes (h=25 mm, h=50 mm, h=100 mm)
Rod:	Ø7 mm
Approved:	FDA and EU
Curve:	No
Color:	Additional colors available
Cleanability:	Excellent
Belt Width:	17 mm



Product Features and Functional Benefits

- Easy to clean reduces downtime for cleaning time %70.
- Close, sticky transfer applications.
- Reduces bacteria growth.
- Unique sprocket engagement - higher product load and longer conveyors.
- Strong and thick product supports allow more load without breaking.
- Impact resistance to withstand heavy objects falling into the belt.

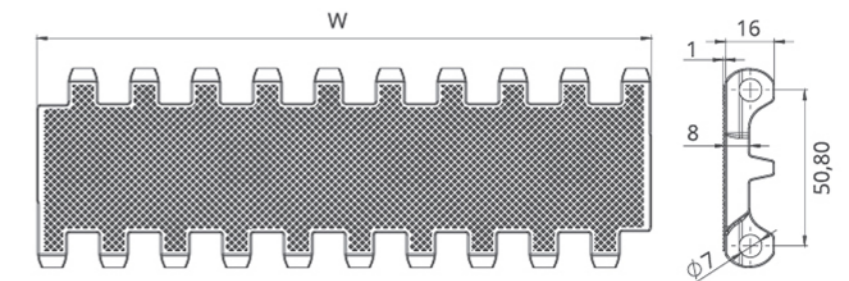
EC508 DT / Technical Information

BELT MATERIAL	BELT STRENGTH				TEMPERATURE		BELT WEIGHT
	Straight		Curve		C (min.)	C (max.)	Kg/m ²
	Kg/m	N/m	Kg/m	N/m			
Polypropylene	1750	17500	-	-	+5	+90	8.00
Polyethylene	1675	16750	-	-	-73	+66	8.20
Acetal	2950	29500	-	-	-43	+110	12.10

- Belt strength and temperature values are maximum on the table.

EC508 DT / Standard Belt Widths

BELT SERIES	WIDTH (W)				Belt Width Tolerance (max.)
	PP-PE		POM		
	(mm)	(inch)	(mm)	(inch)	
EC 508	200	7,87	200	7,87	± 1 mm
EC 508	300	11,81	300	11,81	± 2 mm
EC 508	400	15,75	400	15,75	± 2 mm
EC 508	500	19,69	500	19,69	± 2 mm
EC 508	600	23,62	600	23,62	± 3 mm
EC 508	700	27,56	700	27,56	± 3 mm
EC 508	800	31,50	800	31,50	± 3 mm
EC 508	900	35,43	900	35,43	± 4 mm
EC 508	1000	39,37	1000	39,37	± 4 mm
EC 508	1100	43,31	1100	43,31	± 4 mm
EC 508	1200	47,24	1200	47,24	± 4 mm
EC 508	1300	51,18	1300	51,18	± 5 mm
EC 508	1400	55,11	1400	55,11	± 5 mm
EC 508	1500	59,06	1500	59,06	± 5 mm



- Standard belt increments 20 mm.
- Please contact with customer service for precise belt measurements.

EC508 DT

Modular Belt Series

• Meat Applications

Slaughtering / Evisceration, Cutting Lines, Deboning Lines, Bone Takeaway, Dressing Lines, Trim Lines

• Poultry Applications

Live Birds, Slaughtering / Evisceration, Skinning, Cut-up, Chiller Discharge, Bird Accumulation, Freezing Lines, Elevators

• Sea Food Applications

Trim Lines, Control Tables, Glazing, Elevators

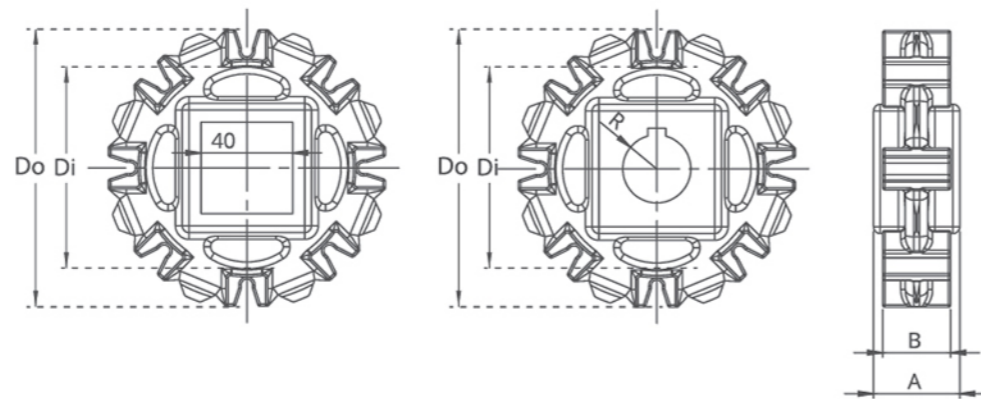
• Fruits and Vegetables Applications

Bulk Feeding, Elevators, Control Sorting Table, Filling

EC508 Series Sprockets and Technical Specifications



Z8



EC508 Series / Standard Sprockets Dimensions

NO.TEETH	Di	Do	B	A	Square Bore (Q)	Round Bore (R)	PRODUCT CODE	
							Square Type (Q)	Round Type (R)
Z6	94.0 mm	77.0 mm	30.0 mm	40.0 mm	40.0 mm	25.0 / 30.0	EC508SQFZ6*PA	EC508SRFZ6*PA
Z8	105.0 mm	122.0 mm	30.0 mm	40.0 mm	40.0 mm	25.0 / 30.0	EC508SQFZ8*PA	EC508SRFZ8*PA
Z10	138.5 mm	156.5 mm	30.0 mm	40.0 mm	40.0 mm	25.0 / 30.0	EC508SQFZ10*PA	EC508SRFZ10*PA
Z12	179.0 mm	197.0 mm	30.0 mm	40.0 mm	40.0 mm	25.0 / 30.0	EC508SQFZ12*PA	EC508SRFZ12*PA

*Other sprockets and hub sizes are manufactured up to request. *POM (Acetal) and PP (Polypropylene) sprockets raw material is available on request.



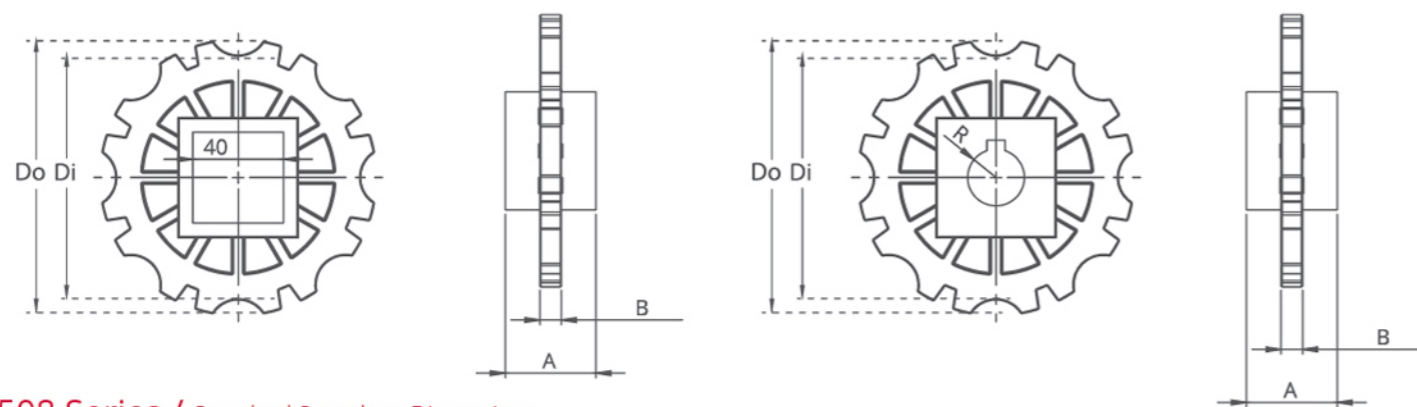
Z8



Z10



Clamb

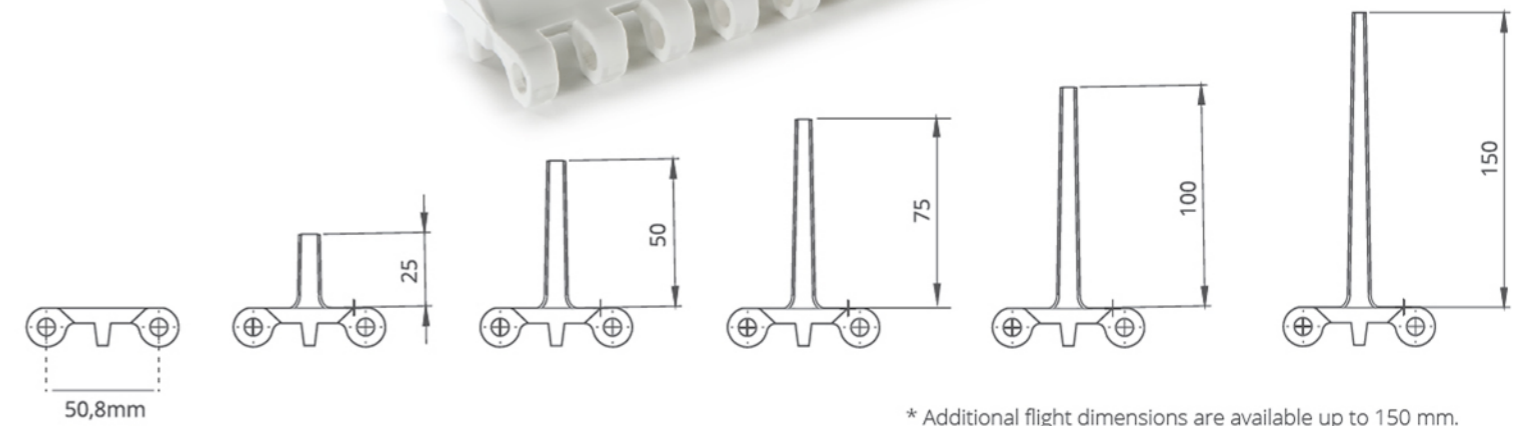
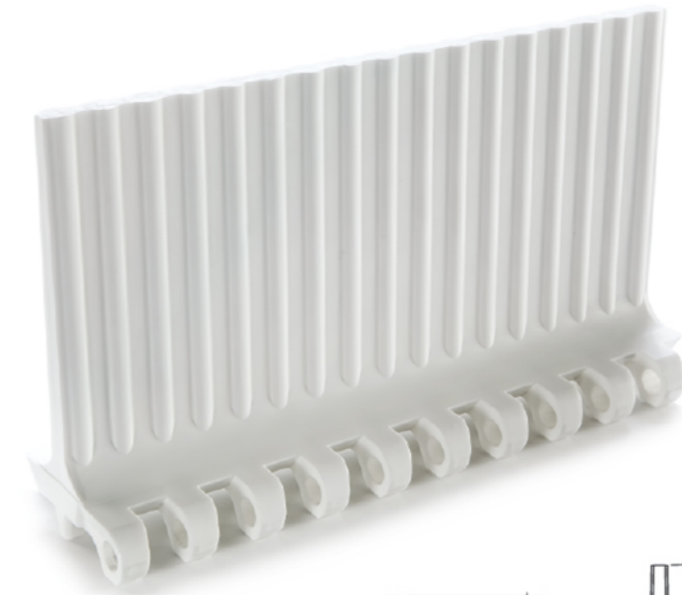


EC508 Series / Standard Sprockets Dimensions

NO.TEETH	Di	Do	B	A	Square Bore (Q)	Round Bore (R)	PRODUCT CODE	
							Square Type (Q)	Round Type (R)
Z8	110.0 mm	125.5 mm	9.6 mm	40.0 mm	40.0 mm	25.0 / 30.0	EC508SQZ8*PA	EC508SRZ8*PA
Z10	142.0 mm	160.0 mm	9.6 mm	40.0 mm	40.0 mm	25.0 / 30.0	EC508SQZ10*PA	EC508SRZ10*PA
Z12	179.0 mm	197.0 mm	9.6 mm	40.0 mm	40.0 mm	25.0 / 30.0	EC508SQZ12*PA	EC508SRZ12*PA

*Other sprockets and hub sizes are manufactured up to request. *POM (Acetal) and PP (Polypropylene) sprockets raw material is available on request.

EC508 Series Accessories and Technical Specifications

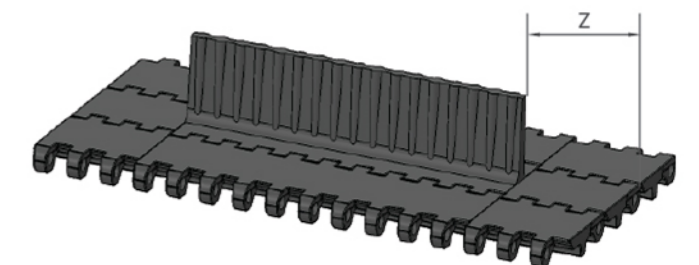


* Additional flight dimensions are available up to 150 mm.

EC508 Series / Flight Technical Specifications

Possible Flight Indents for 50,8 mm Series	Z	
	(mm)	(inch)
Standart, no module cutting	20	0,79
Standart, no module cutting	40	1,57
Standart, no module cutting	60	2,36
Standart, no module cutting	80	3,15
Standart, no module cutting	100	3,94

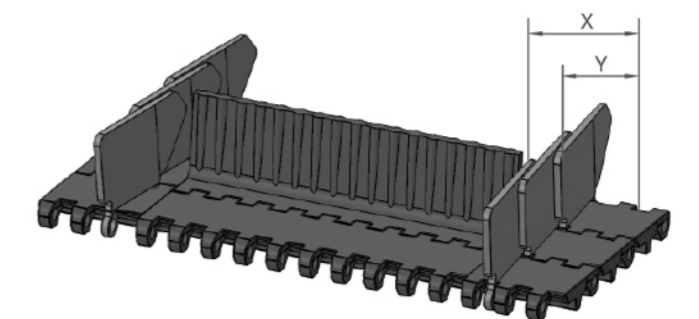
*Non-standard flight indent is on request.



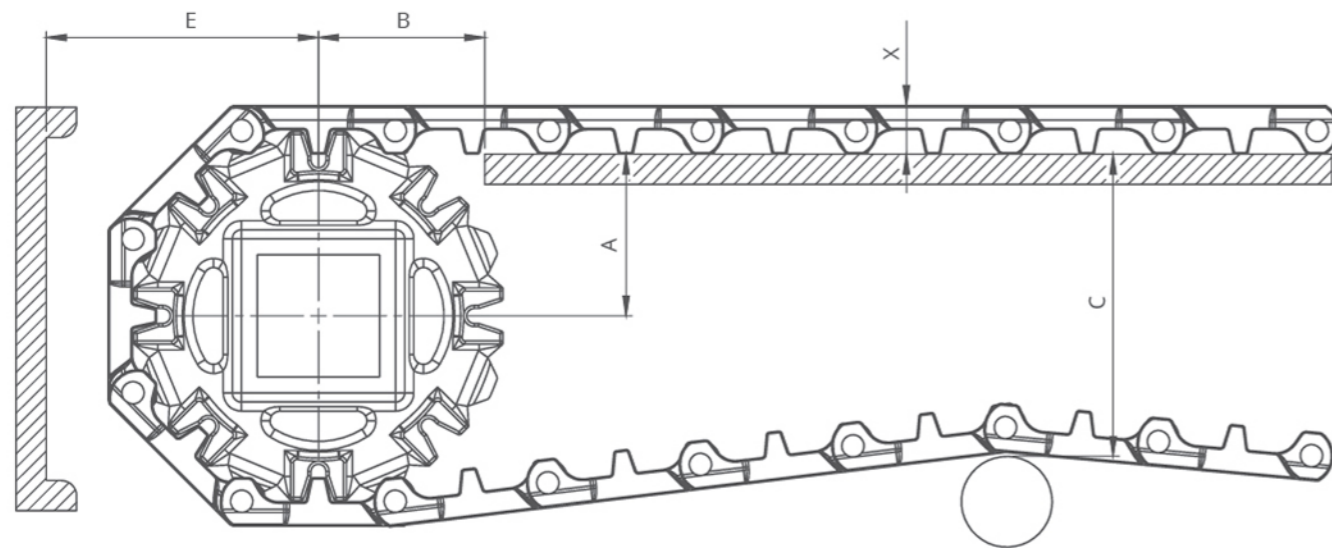
EC508 Series / Sidewall Technical Specifications

Possible Sidewall and Flight Indents	X		Y	
	(mm)	(inch)	(mm)	(inch)
Standart, no module cutting	32	1,26	20	0,79
Module cutting necessary	42	1,65	30	1,18
Standart, no module cutting	52	2,05	40	1,57
Module cutting necessary	62	2,44	50	1,97
Standart, no module cutting	72	2,83	60	2,36
Module cutting necessary	82	3,23	70	2,76

Note: Gap between flight and sidewall minimum 2-3 mm
Gap between flight and sidewall maximum 10 mm



EC508 Series Engineering Information

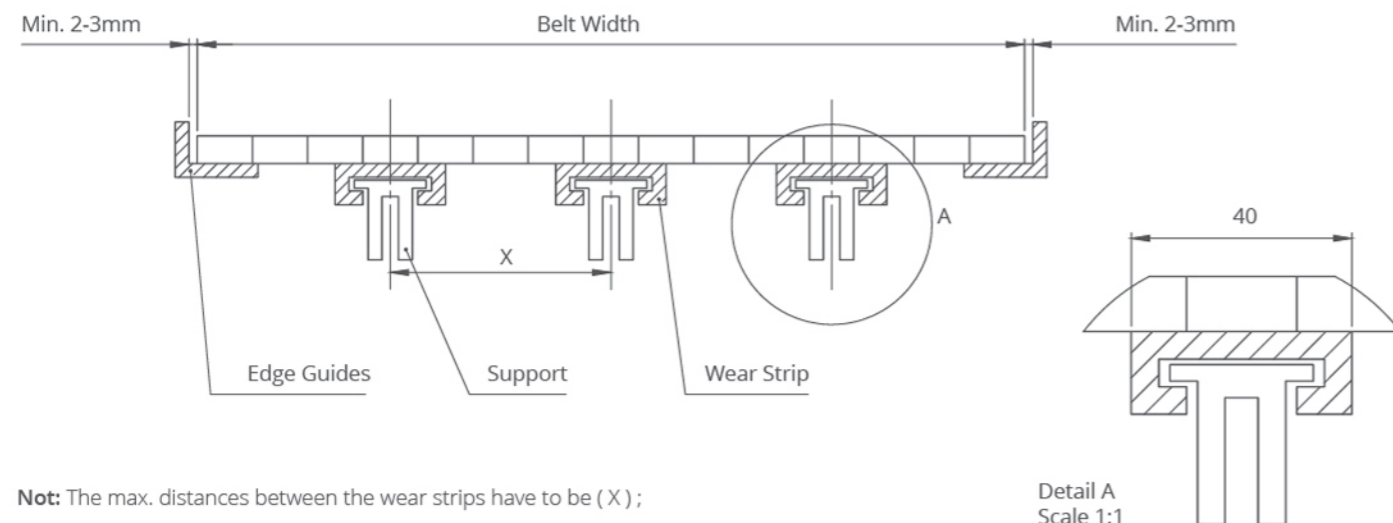


A - ± 0,031" (1mm) C - ± (Max.)
 B - ± 0,125" (3mm) E - ± (Min.)

EC508 Series / Conveyor Frame Dimensions

Sprockets Description			A		B		C		E		X	
Pitch Diameter In.	Pitch Diameter mm	No.Teeth	Range (Bottom to Top)		In.	mm	In.	mm	In.	mm	In.	mm
			In.	mm								
EC508 C, EC508 PR%22, EC508 PR%13, EC508 PR%11, EC508 FG												
4,53	115	8	2,29	58,25	2,20	56	3,74	95	3,31	84	0,63	16
5,87	149	10	2,93	74,5	2,56	65	4,72	120	3,94	100	0,63	16
EC508 DT												
4,53	115	8	2,33	59,25	2,20	56	3,74	95	3,35	85	0,67	17
5,87	149	10	2,97	75,5	2,56	65	4,72	120	3,98	101	0,67	17

EC508 Series / Slider Support System For Straight Running Belts

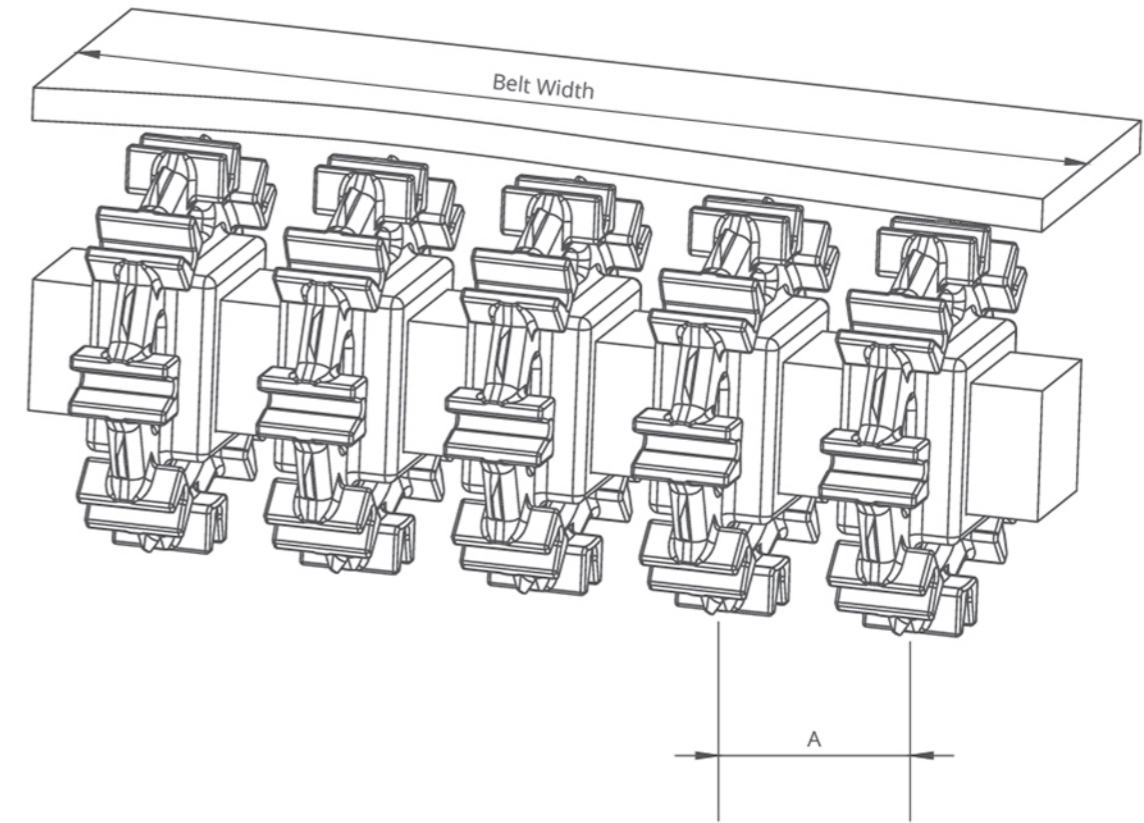


Not: The max. distances between the wear strips have to be (X) ;

125 mm for 2" belts
 80 mm for 1" / 0.5" belts

Detail A
 Scale 1:1

EC508 Series Engineering Information



EC508 Series / Sprockets Arrangement

Standard Belt Width		Number of sprockets per shaft		A (mm/inch)	
mm	inch	Drive Shaft	Return Shaft	Min.	Max.
200	7,9	2	2	60/2,36	150/5,9
300	11,8	3	2	60/2,36	150/5,9
400	15,7	3	3	60/2,36	150/5,9
500	19,7	4	3	60/2,36	150/5,9
600	23,6	4	3	60/2,36	150/5,9
700	27,6	5	4	60/2,36	150/5,9
800	31,5	6	4	60/2,36	150/5,9
900	35,4	6	5	60/2,36	150/5,9
1000	39,4	7	5	60/2,36	150/5,9
1100	43,3	7	5	60/2,36	150/5,9
1200	47,2	8	6	60/2,36	150/5,9
1400	55,1	9	7	60/2,36	150/5,9
1600	63,0	10	7	60/2,36	150/5,9
1800	70,9	11	8	60/2,36	150/5,9
2000	78,7	12	8	60/2,36	150/5,9
2200	86,6	13	9	60/2,36	150/5,9
2400	94,5	14	10	60/2,36	150/5,9
2600	102,4	15	10	60/2,36	150/5,9
2800	110,2	16	11	60/2,36	150/5,9
3000	118,1	17	12	60/2,36	150/5,9

Note: Number of sprockets depends on the belt load.